

PrimeSupport

The VPL-VW300ES comes with our 3-year PrimeSupport package. There are no unexpected costs if you experience a problem, just fast, efficient technical support from our free multi-lingual helpline advisors. This package also includes 1-year or 1,000 hours lamp cover.

Prime
Support

Prime
Support Plus

Specifications



		VPL-VW300ES
Display system		High Frame Rate SXRD panel
Light Output		1500 lm
Display elements	Effective display size	0.74" x 3
	Effective pixels	4K (4096 x 2160) x3 / 26,542,080 pixels
Projection lens	Zoom / Focus	Electric (Approx. 2.06 x) / Electric
	Lens shift	Electric, V +85% / -80% H: +/-31%
Light source		Ultra High-pressure lamp 230W type
Screen size		60" to 300"
Reality Creation		YES (4K Reality Creation)
Compatible with "Mastered in 4K " Blu-ray		YES
4K 60p (YCbCr 4:2:0 / 8 bit)		YES
TRILUMINOS™		YES
3D capability		YES
3D emitter		Built-in RF emitter
3D glasses		TDG-BT500A (Optional)
Manual Calibration		HSV Colour Correction
HDCP 2.2 Compliance		YES*
Wireless HDMI compatibility		IFU-WH1 (Optional)
Low latency mode		YES
Picture modes		9 modes
Gamma modes		11 modes
Panel Alignment		Yes (Shift / Zone)
Input/Output	HDMI (2 inputs)	Digital RGB/Y Pb/Cb Pr/Cr
	Remote	RS-232C
	LAN	RJ45, 10BASE-T/100BASE-TX
	IR IN	Mini Jack
	TRIGGER	Minijack, DC 12V Max. 100mA
USB		DC 5V. MAX. 500mA
Acoustic noise		26dB
Power requirement		AC 100 V to 240 V, 3.0 A to 1.3 A, 50/60 Hz
Power consumption		Max. 340W
Body Colour		Black
Standard outside dimensions		W 495.6 x H 195.3 x D 463.6 mm
Weight		Approx. 14 kg
Supplied Accessories		Remote Control RM-PJ28
		Size AA (R6) manganese batteries (2)
		AC Power Cord for projector (1)
		Quick reference manual (1)
		Operating Instructions (CD-ROM) (1)

*HDMI Input 2 is compatible with HDCP2.2

Optional Accessories

Projector lamp
(LMP-H230)



Wireless HD Unit
(IFU-WH1)



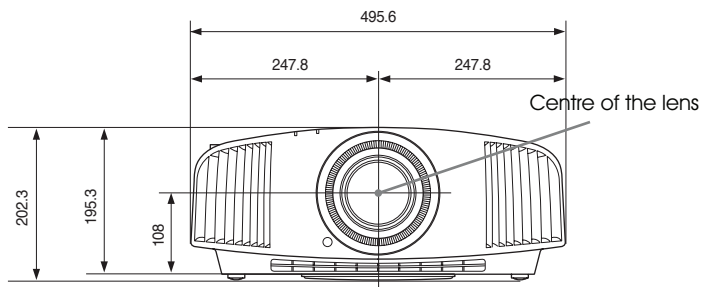
3D Glass
(TDG-BT500A)



Dimensions

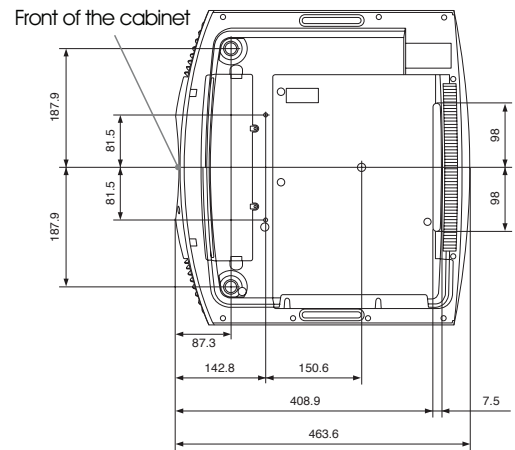
Front

Unit: mm



Bottom

Unit: mm



For further details of how to get a fully immersive 4K cinematic experience for your home visit:
www.pro.sony.eu/homecinemaprojectors

© 2014 Sony Corporation. All rights reserved. Reproduction in whole or in part without permission is prohibited. Features and specifications are subject to change without notice. All non-metric weights and measurements are approximate. 'Sony' and 'BrightEra' are registered trademarks or trademarks of Sony Corporation. All other trademarks are the property of their respective owners.

Distributed by

Sony is the leading supplier of AV/IT solutions to businesses across a wide variety of sectors including, **Media and Broadcast, Video Security, Medical, Digital Cinema and Displays**. It delivers products, systems and applications to enable the creation, manipulation and distribution of digital audio-visual content that add value to businesses and their customers. With over 25 years' experience in delivering innovative market-leading products, Sony is ideally placed to deliver exceptional quality and value to its customers. Collaborating with a network of established technology partners, Sony delivers end-to-end solutions that address the customer's needs, integrating software and systems to achieve each organisation's individual business goals. For more information please visit www.pro.sony.eu

Follow us on Twitter at [@SonyProEurope](https://twitter.com/SonyProEurope) / www.twitter.com/sonyproeurope

HCT_VPL-VW300ES_J3222_ENG_04/08/2014

SONY